




Ph. 1-914-909-4571 Fax. 1-914-909-4572  
[www.allforfurniture.com](http://www.allforfurniture.com), [www.affestore.com](http://www.affestore.com)



*Modern Solutions For Your Home*

**magnetic power**

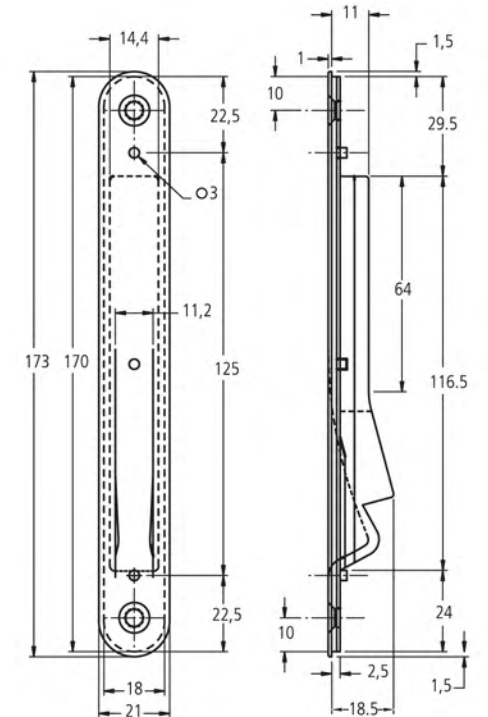
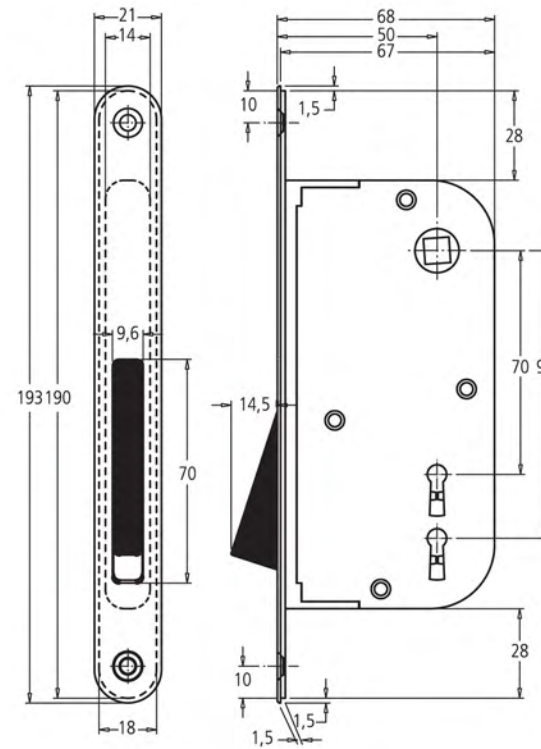


Research beginning in 2001 on the possible internal door lock applications of magnetic fields induced by fixed magnets has developed greatly over recent years, now offering application options that would be unthinkable with traditional lock systems. The abolition of internal and external lock kinetics, based around a catch/deadbolt activated by mechanical components, led to a very important first result: silence and fluidity during door opening and closure. The next objective was to considerably redimension lock and related striking plate sizes, their mechanical dynamics not necessary with magnetic fields. All of this has allowed work on the product design without the need for ugly visible parts on the front of the lock, making the lock system an integral fitting element in harmony with the door. The endless application options of such a system have been expressed in a collection of different products in a vast and unique series: F-Line, a tangible manifestation of a design path with magnetism – Magnetic Power – as its strong point. The 5 solutions are proposed by AFFurniture Inc. to those seeking an innovative answer to problems that cannot be resolved with traditional systems.

# F-ONE



F-ONE lock (F900)  
 The magnetic lock par excellence which has met with the favour of the wider market for its acclaimed silence combined with revolutionary design.



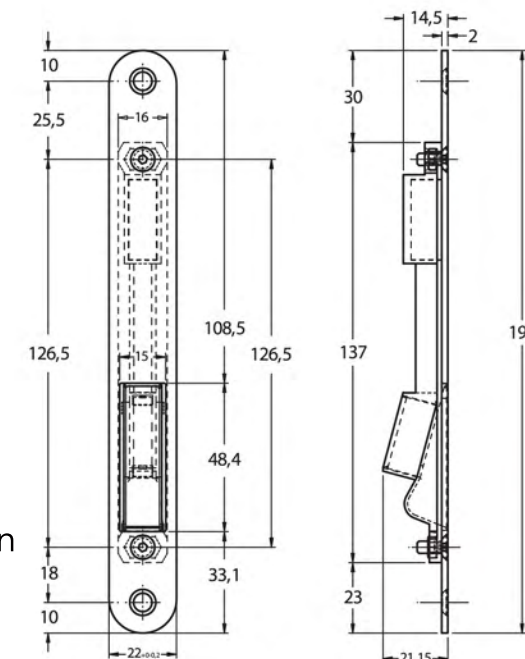
## F991



## F-ONE

## F991

F-ONE striking plates  
 Model F991 is produced partly in zama to receive the tip stop and partly in synthetic material to contain the fixed magnets.  
 Model F992 offers moreover an assembly "modification function" of no less than 2 mm after installation of 2 allen screws: a perfect offset remedy when it becomes difficult to align door and jamb.



## F992

## F992

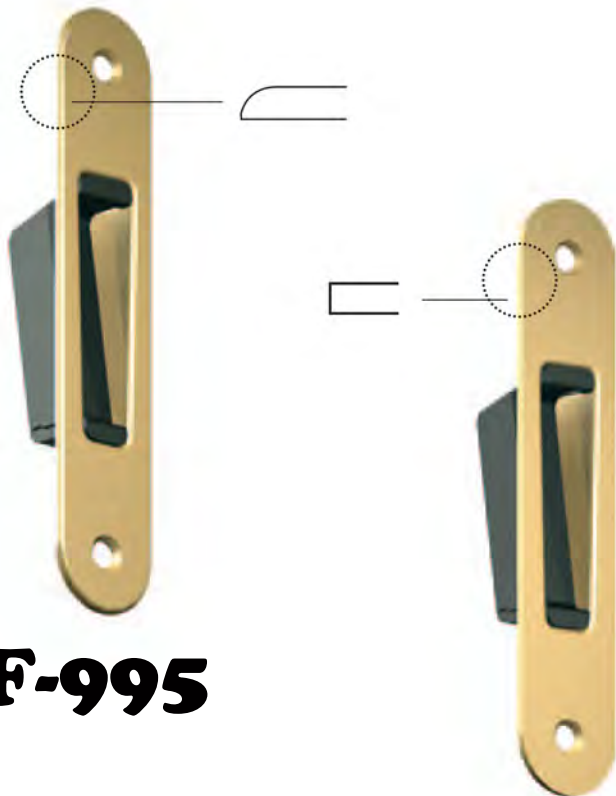


## F992

# F-TWO

## F-TWO magnetic lock (940)

The patent of the new millennium using magnetism as its opening/closing system and with door catch flush fitted in line with the handles panel, retaining the special characteristics of the F-ONE.

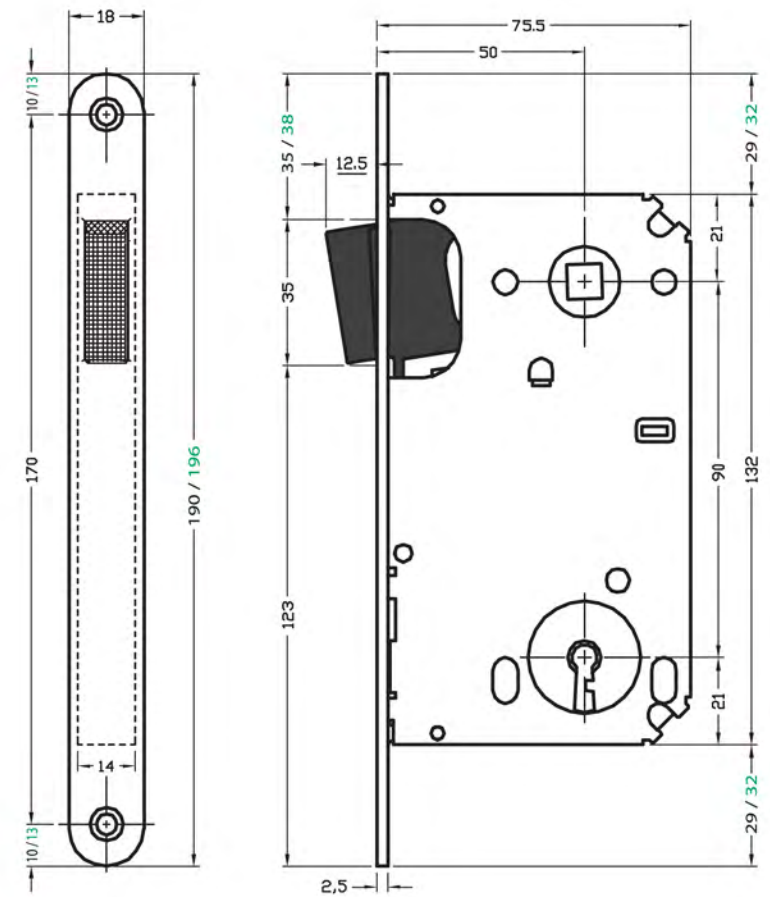


**F-995**

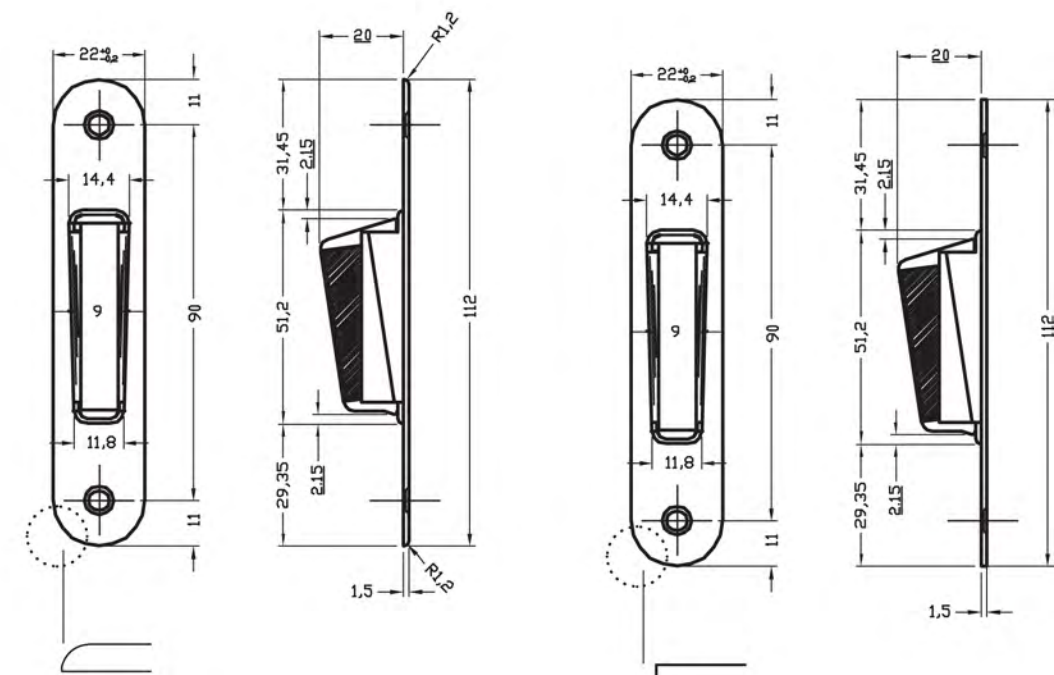
**F-996**

## F-TWO striking plates

Characteristic the conical shape of the recess which avoids the slamming of the door. The magnet casing, positioned internally, hides the bare section of the recess formed in the door jamb. The rounded perimeter profile of model 995 allows recessing of only the central section, whereas model 996, with a squared perimeter profile must be fully recessed into the jamb.



**F-TWO**



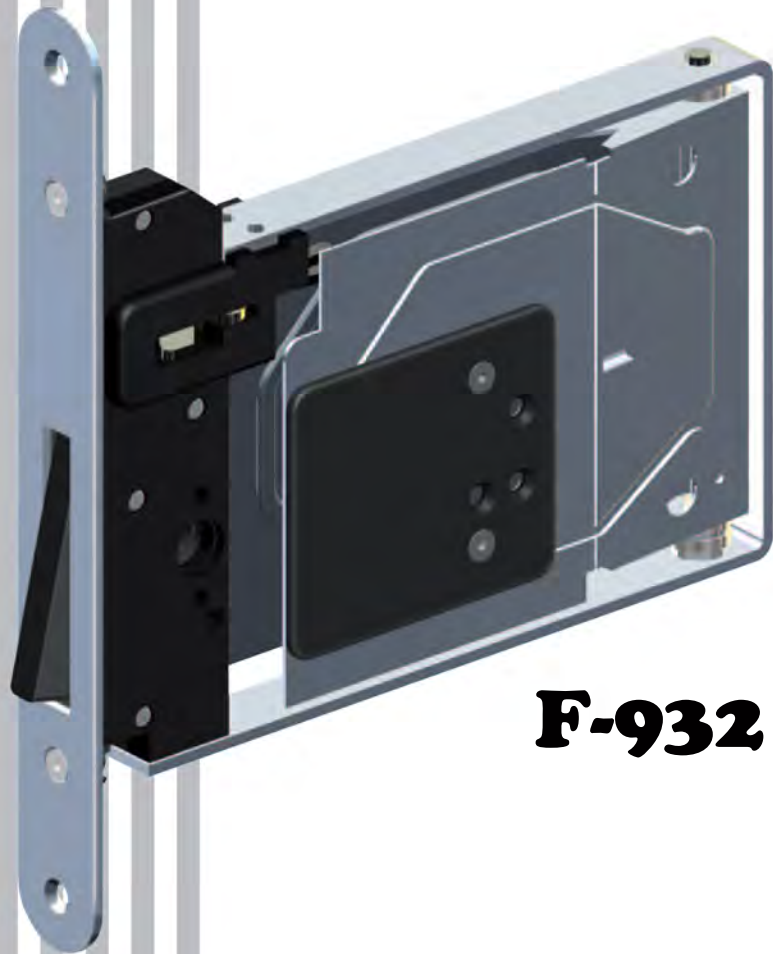
**F-995**

**F-996**

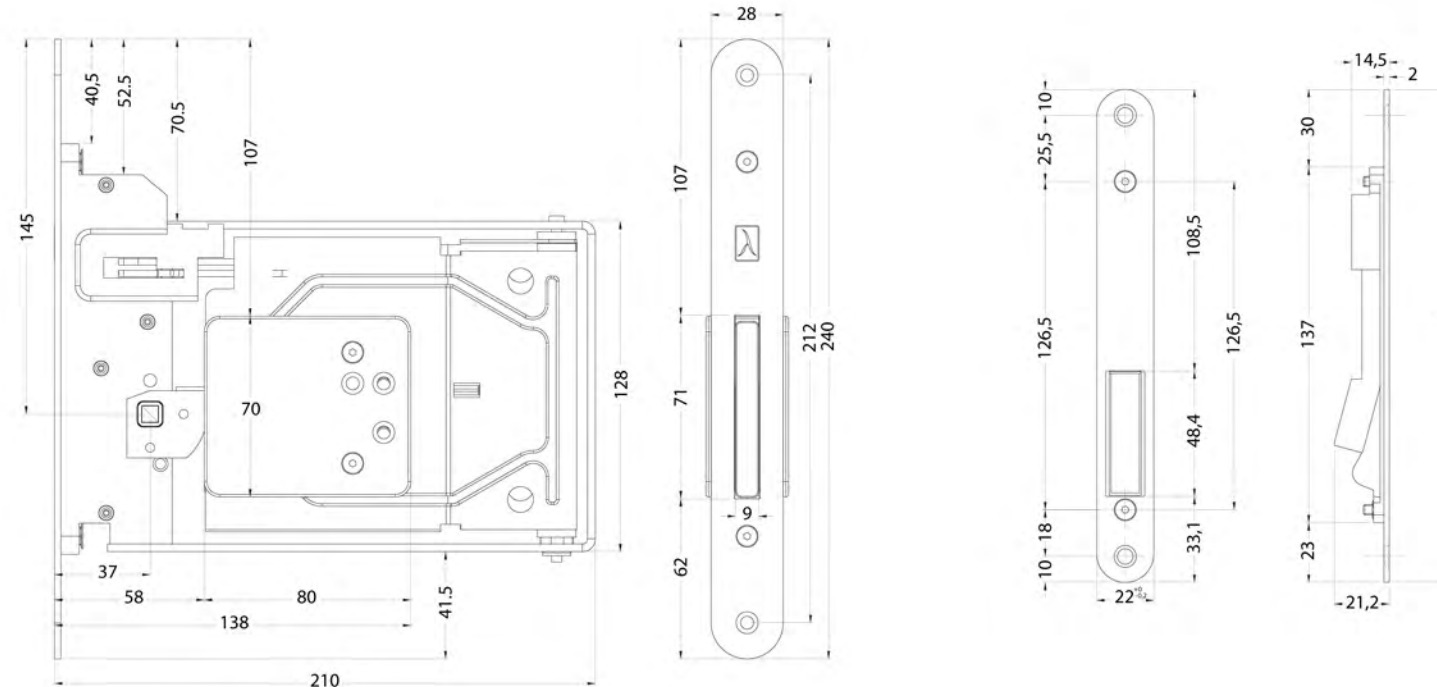


**F-931**

**F-FLAT • HA  
for hinged doors**

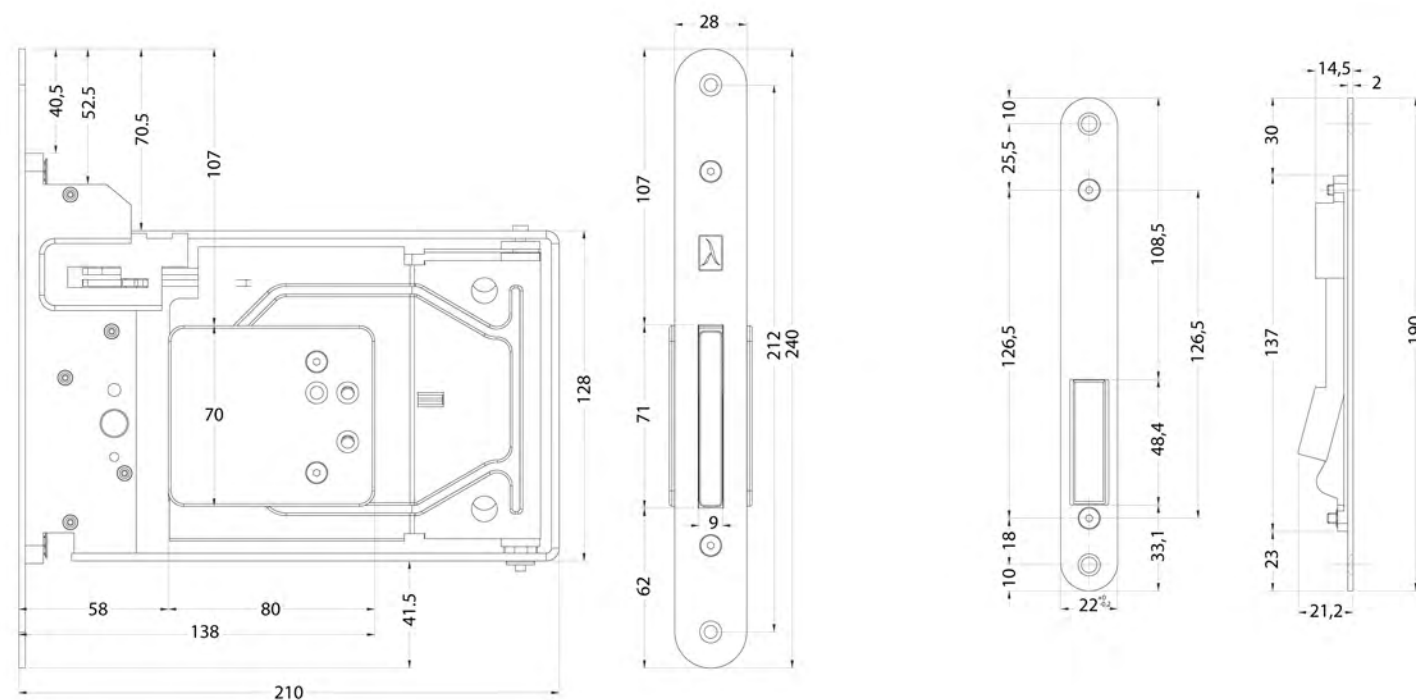


**F-932**



Lock F931 with adjustable backing plate F992

The home fitting need to have the option of closing at least one door led to the design of a F/FLAT with a latch closure. The solution adopted in any event maintains all the features of the F932, including use of the backing plate F992.

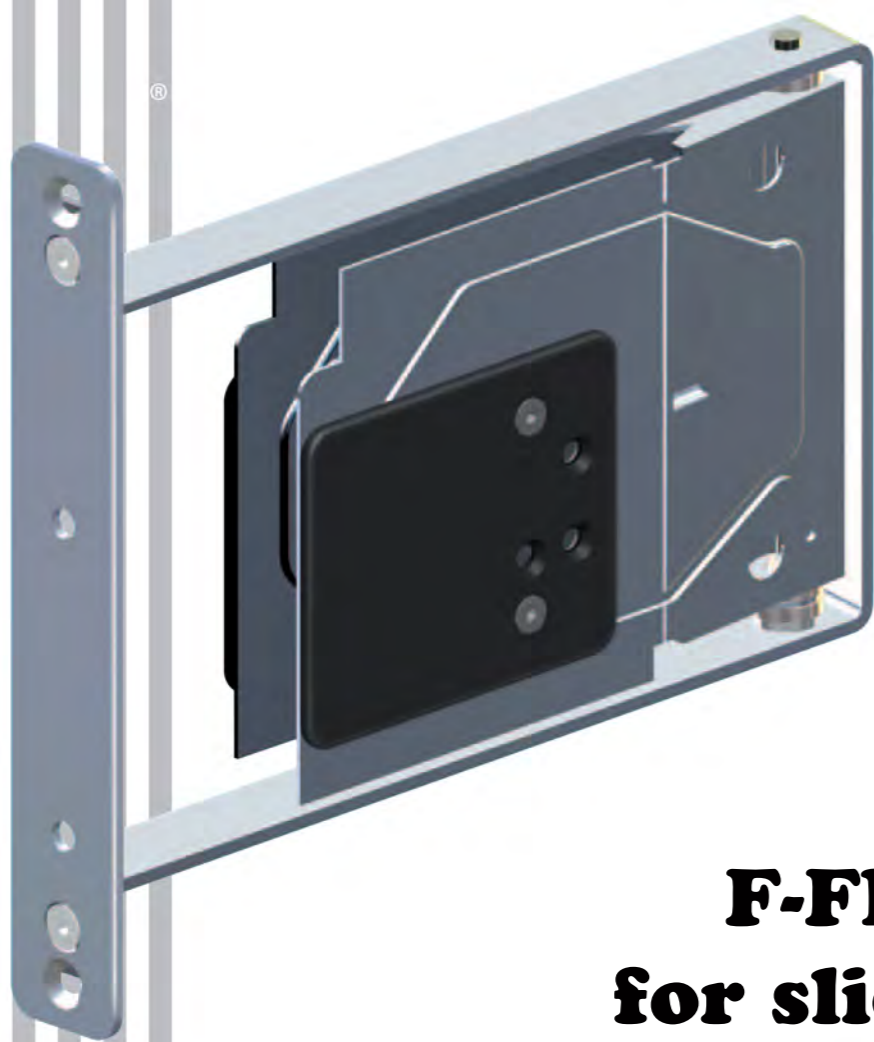


Lock F931 with adjustable backing plate F992

A magnetic lock that works even without a handle, requiring only the introduction of your hand in part of a recess cut into the door.

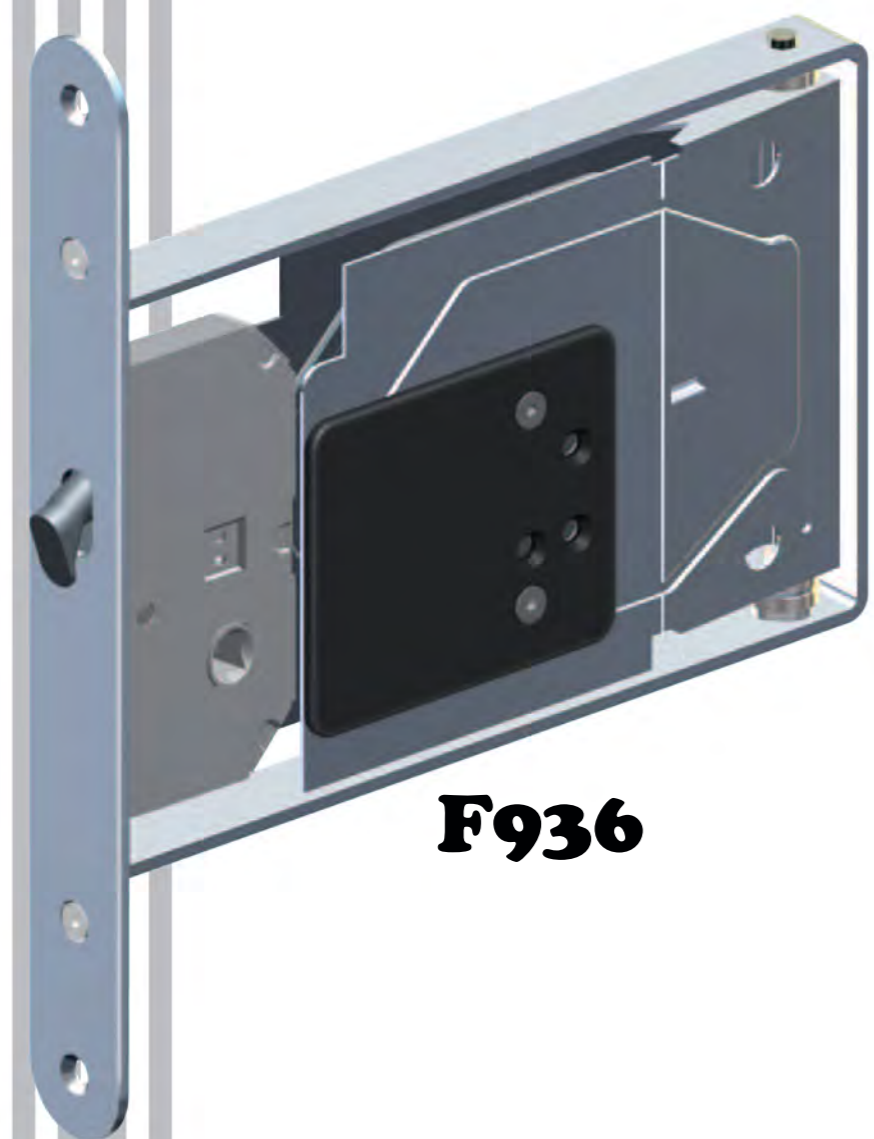
The adjustable backing plate completes the opening/closing system.

The F/FLAT design enhances the clean look of the door, with no extraneous elements such as handles breaking the flow of the profile and colours.

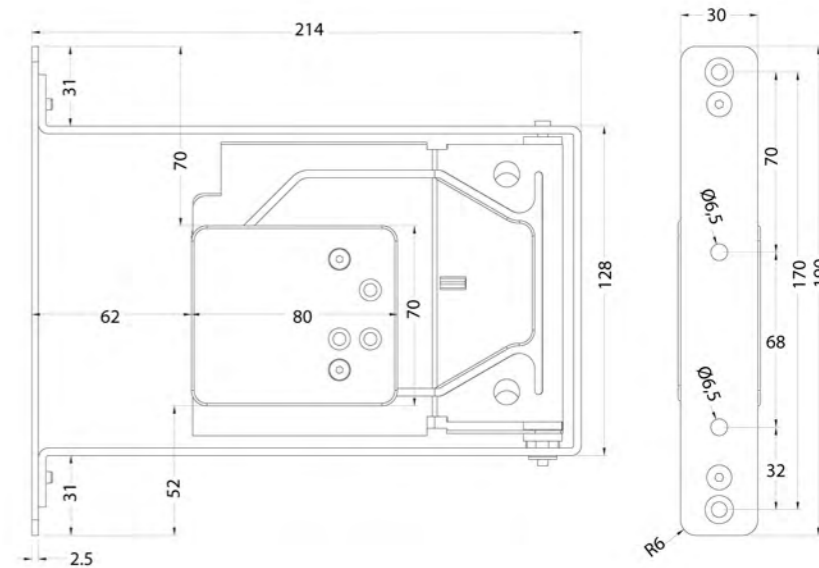


**F935**

**F-FLAT • HA  
for sliding doors**

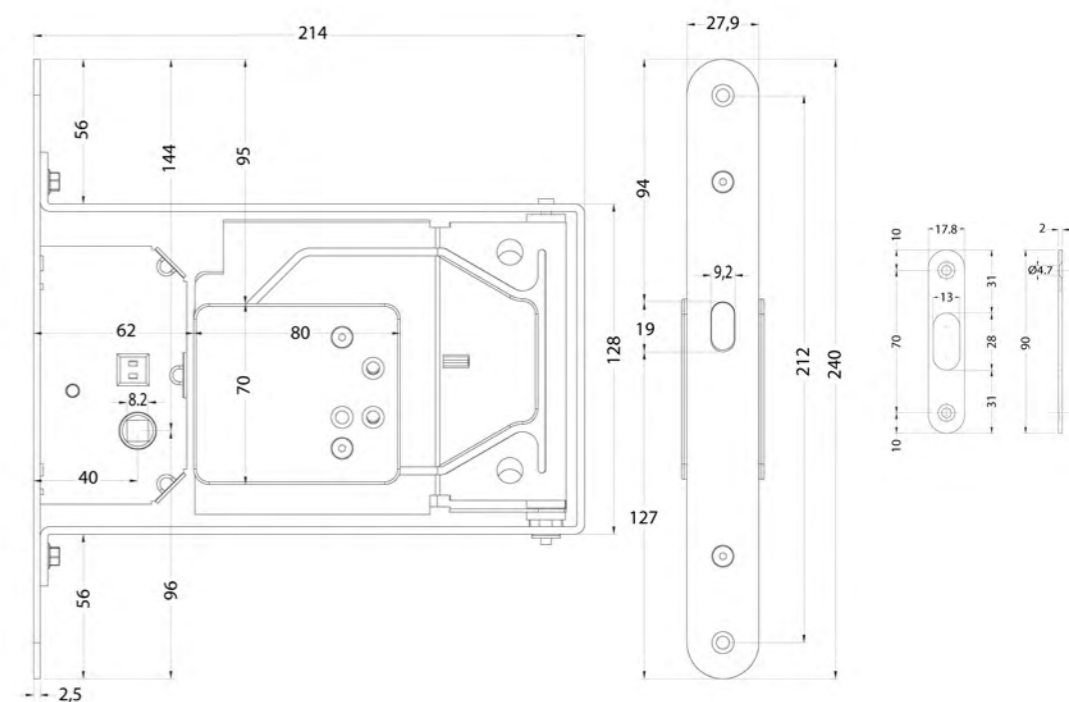


**F936**



Lock F935

The lock that allows you to have a sliding door without having to forego the features offered by the F/FLAT.



Lock F936 with backing plate F565

The latest F/FLAT model has a hook lock system that allows inclusion of this system also in the sliding doors sector, increasing the number of design options available for the F/FLAT series.



F-LEX lock (mod. 920)  
 The first magnetic lock for glass doors with the same silence and design features as the famous F-One. Adjustable fitting for glass 8-10 mm thick with striking plate for frames in wood or aluminium.

## F-FLEX for glass doors



**F995**

Stricking plate mod. 995  
 Stricking plate with 1 magnet.  
 Characteristic the conical shape of the recess which avoids the slamming of the door. The magnet casing, positioned internally, hides the bare section of the recess formed in the door jamb. The rounded perimeter profile allows recessing of only the central section.

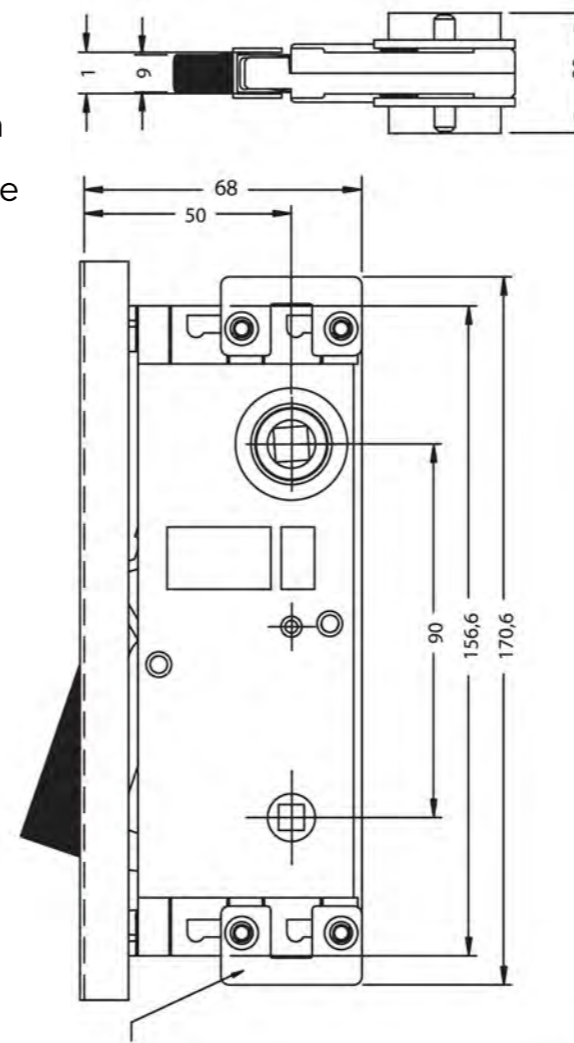
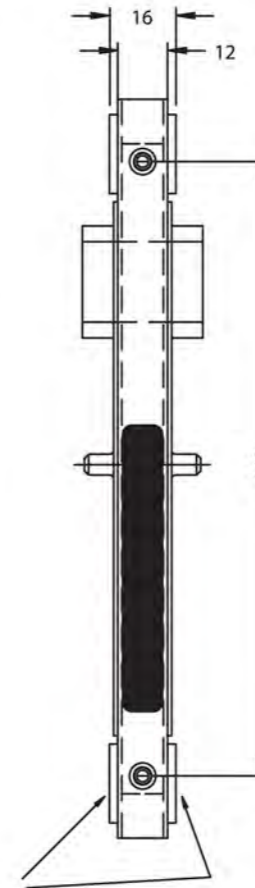
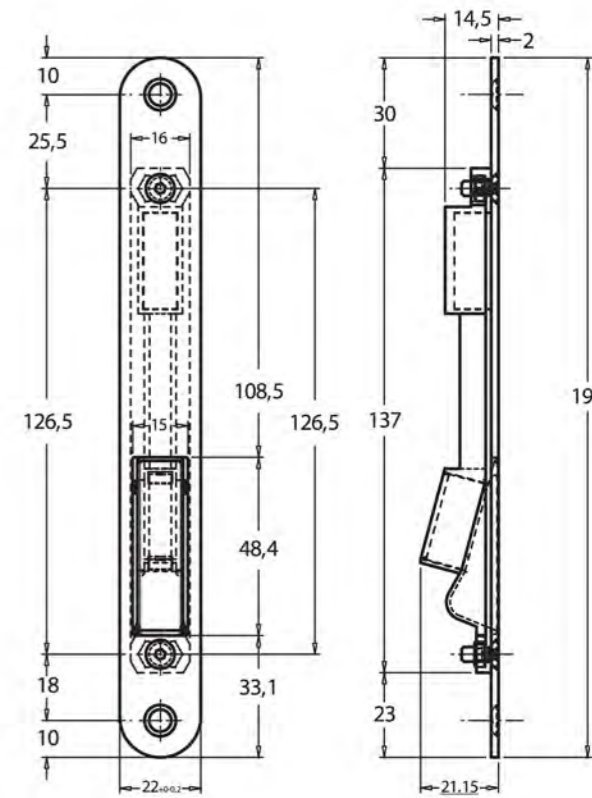


Plate in position for 10 mm glass .  
 To move plate in position for the 8mm glass  
 Advanced, and turn the spacer under the front.

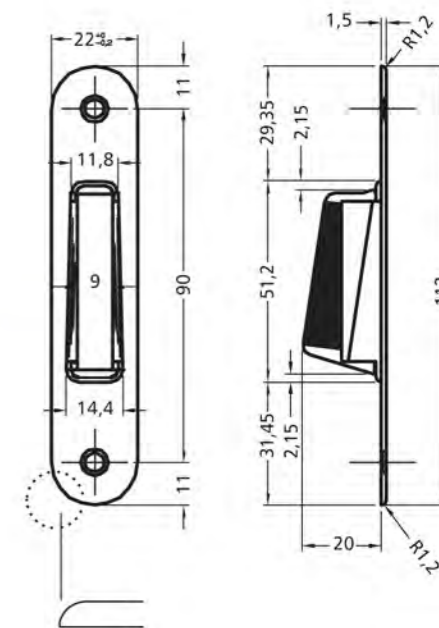


**F992**

Stricking plate mod. 992  
 Stricking plate with 2 magnets.  
 It offers an assembly "modification function" of no less than 2 mm after installation of 2 allen screws: a perfect offset remedy when it becomes difficult to align door and jamb.



**F995**



# F-FLEX

## for glass double doors

F-FLEX lock (mod. 920)

The first magnetic lock for glass doors with the same silence and design features as the famous F-One. Adjustable fitting for glass 8-10 mm thick with striking plate for frames in wood or aluminium.



**F990**

## for glass double doors

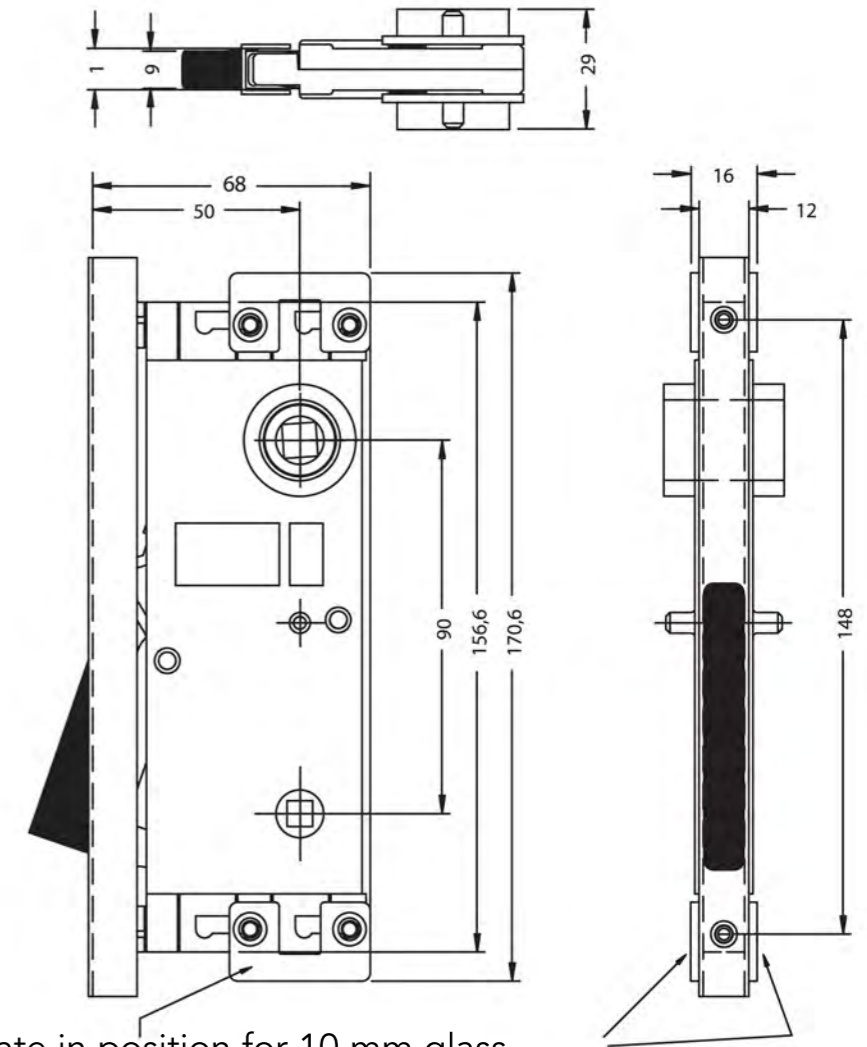
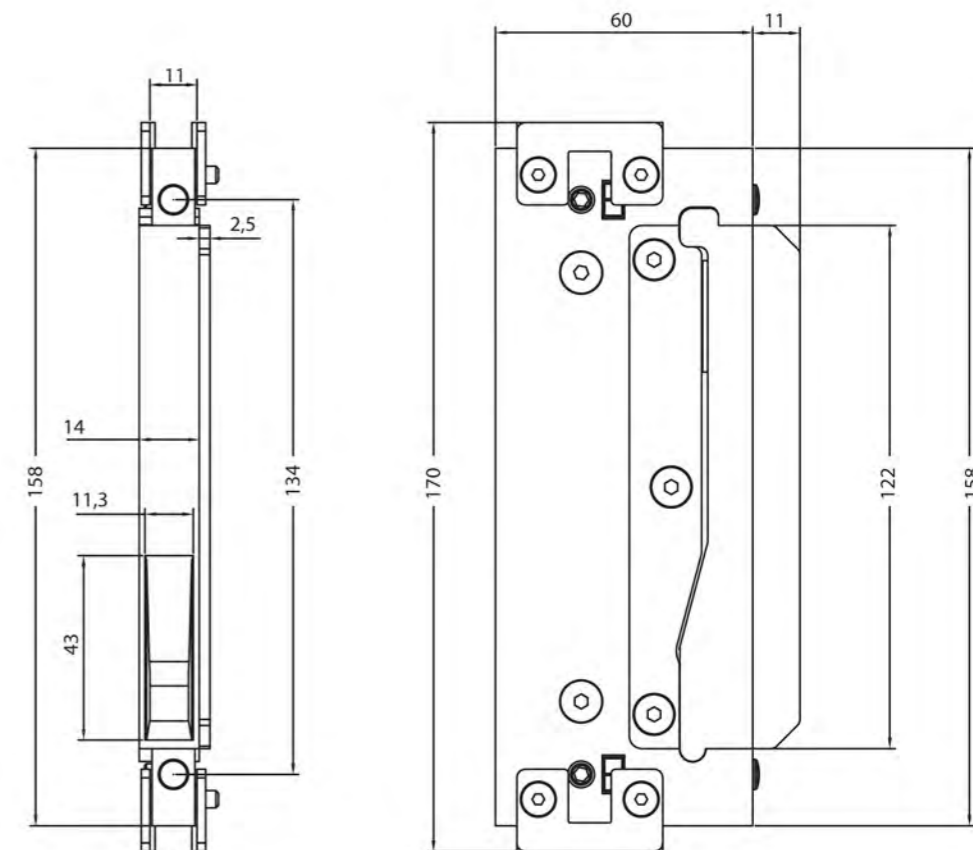


Plate in position for 10 mm glass .  
To move plate in position for the 8mm glass  
Advanced, and turn the spacer under the front.

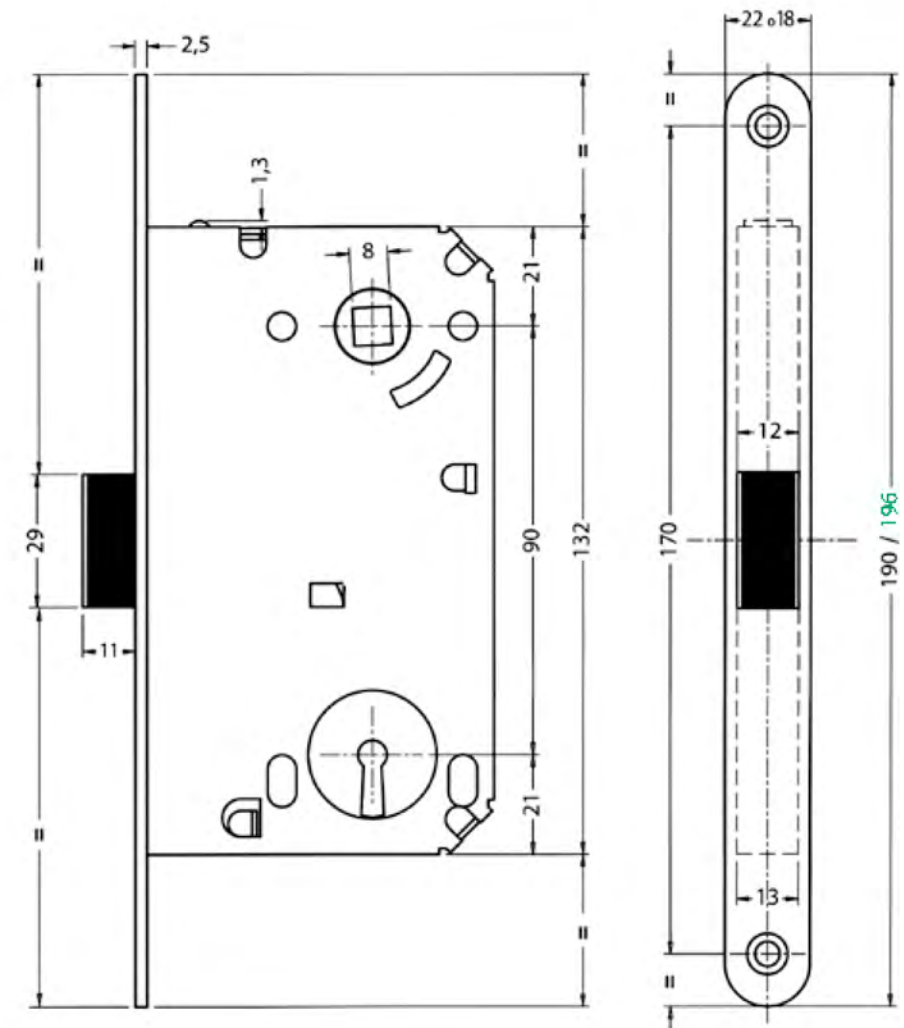




# F-FOUR

F-FOUR lock (F970)

The magnetic lock with tip stop position central to the front plate. Combines the fluidity of F-Soft with the silence of F-One in a hi-tech, easy-to-use combination.



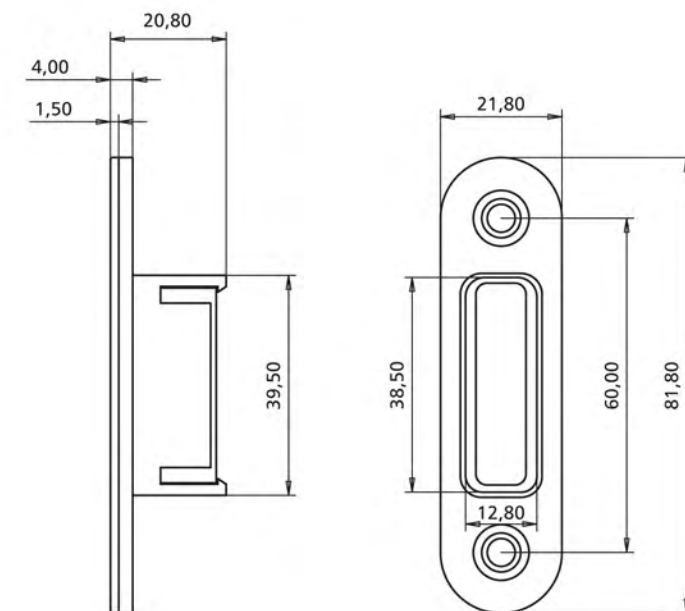
# F-FOUR

# F997

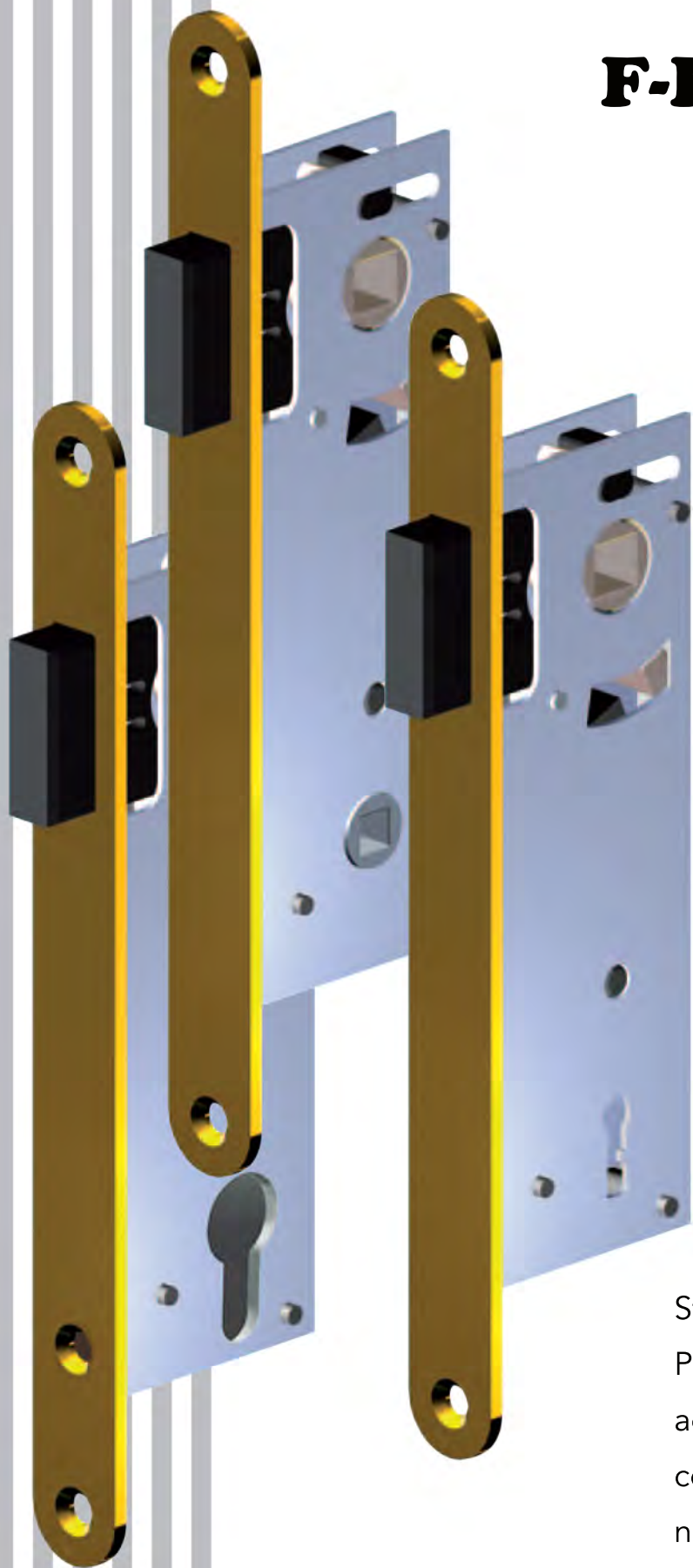
Stricking plate F997

Produced in a single unit in plastic adapted to also house the magnet. The compact dimensions adapt perfectly to new door jamb models

# F997

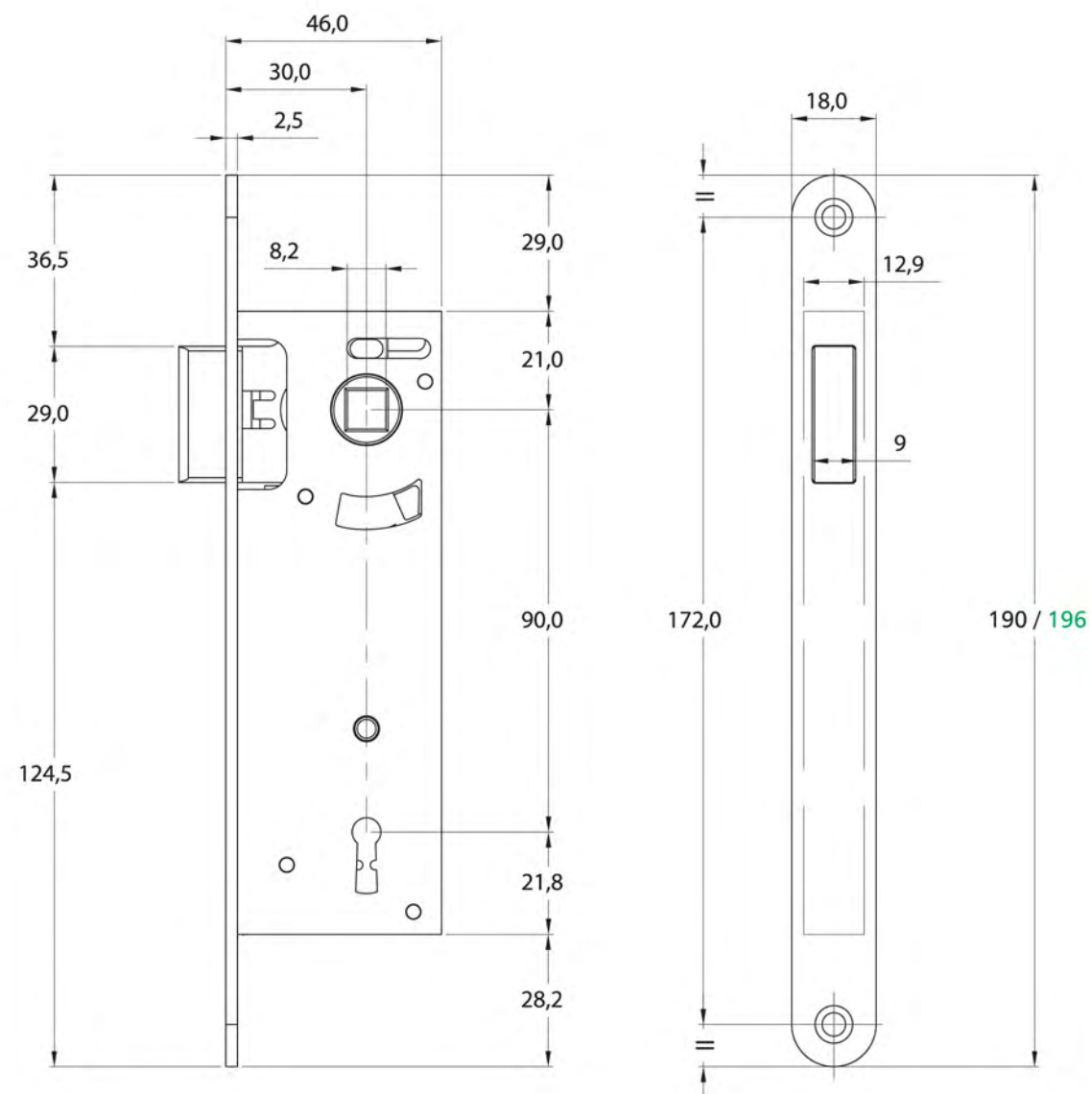


## F-FIVE



Stricking plate F997

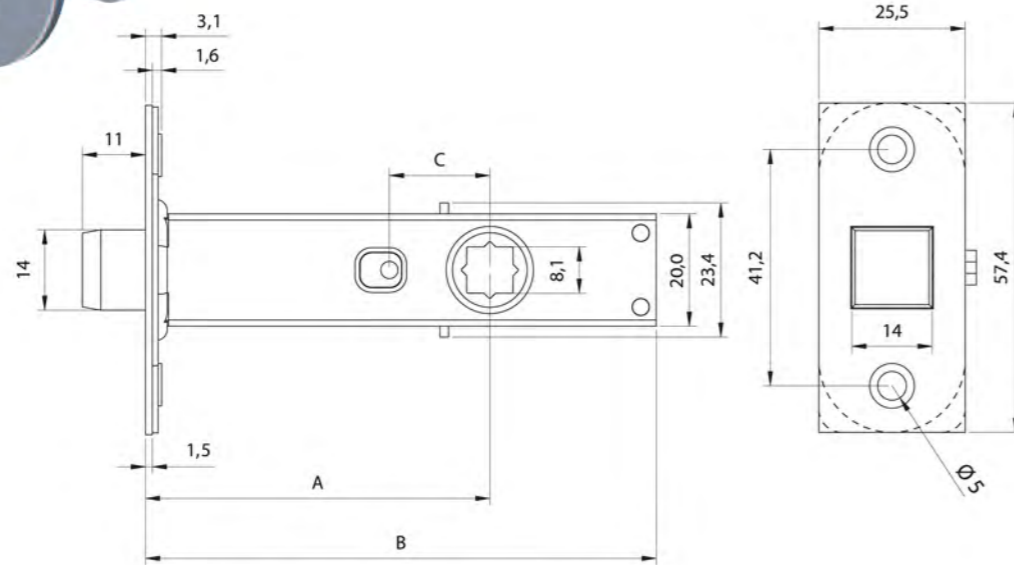
Produced in a single unit in plastic adapted to also house the magnet. The compact dimensions adapt perfectly to new door jamb models.



F-FIVE lock (mod. F00)

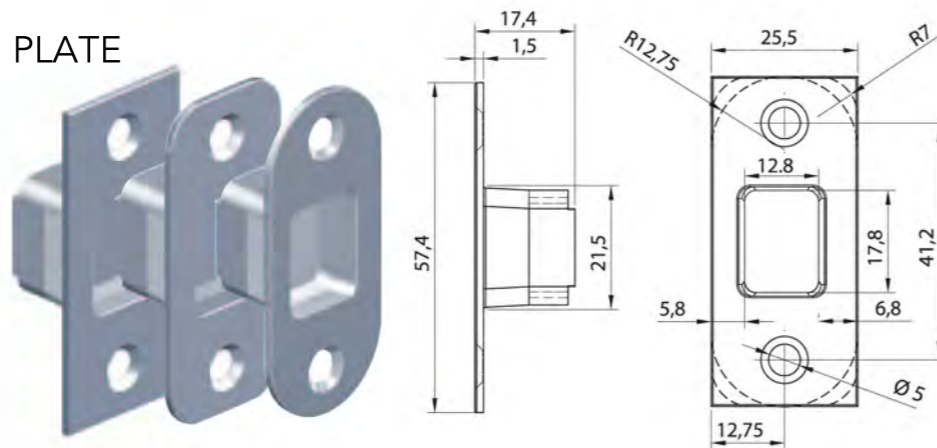
F-Five is an ultra-compact magnetic lock. In less than 45 mm it incorporates two typical magnetic features: silence and soft open/close, specific to all locks in the F-Line series. The 30 mm opening makes the F-Five ideal for all wooden doors calling for narrower vertical supports. And not only. The specially designed strike, which can also be used on aluminum vertical supports, allows application of a magnetic lock even on this type of doorway. All of this with a 90 mm distancing: the size most requested by door manufacturers. F-Five is available in key, drum and cylinder versions to satisfy every market need. The option to adjust the strike to the axis (+/- 0.5 mm) at jamb assembly stage offers correct alignment with the lock fitted into the door.

# F-LATCH-F09

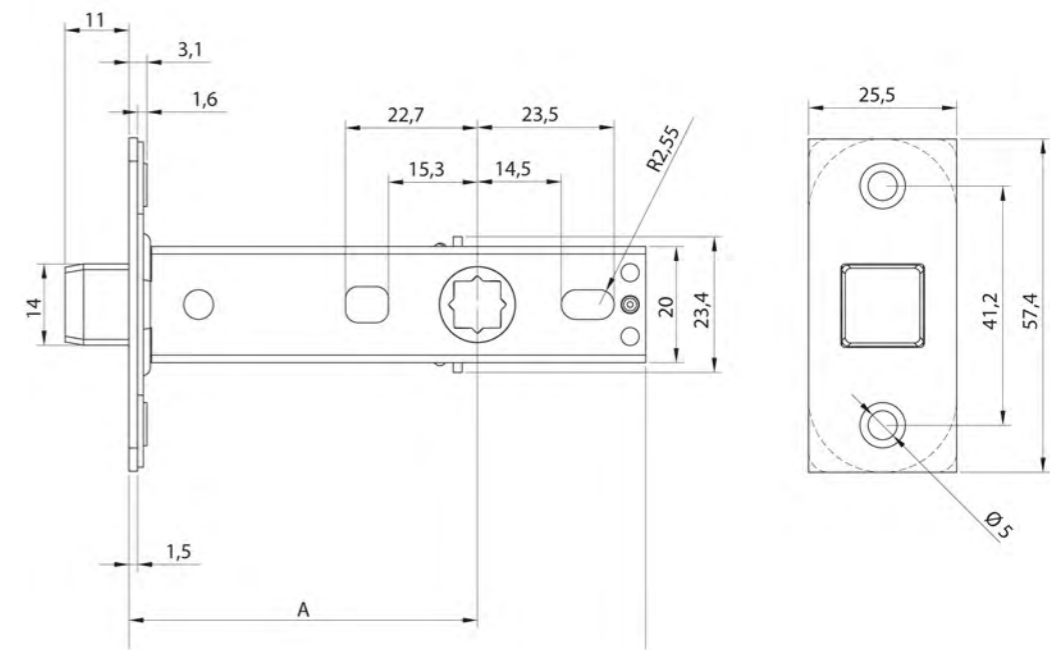


A	60 (2-3/8")	70 (2-3/4")
B	90 (3-9/16")	100 (3-15/16")
C	17,5 (11/16") e 20,5 (13/16")	

## STRICKING PLATE



# F-LATCH-F09 passage



A	60 (2-3/8")	70 (2-3/4")
B	90 (3-9/16")	100 (3-15/16")

F-Latch and F-Latch passage lock Interchangeable with standard patented magnetic locks, the new F-Latch magnetic lock was designed specifically to meet USA standards. A new magnetic latch to expand the range of these new "minimalist" lock systems. The latest model adds new high performance mechanical features such as passage, privacy and emergency. Whereas a specific model is made for the passage version, the lock option (privacy) and especially the immediate unlock function on the handle (emergency) are totally new features for model F09. What's more, the adaptability of the handles, and not only to the door knobs, gives an extremely high added value to this product.